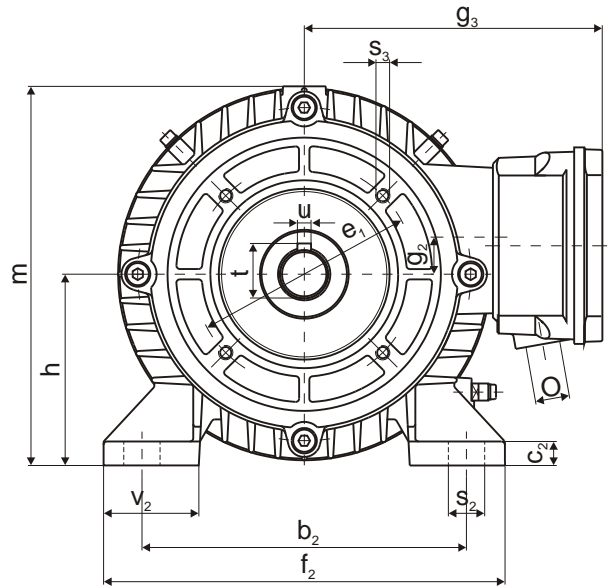
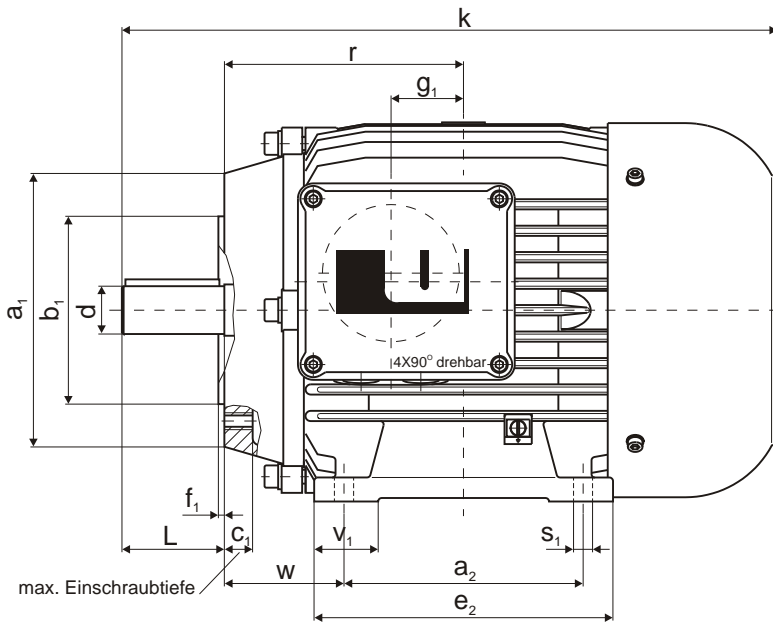


Drehstrom-Normmotoren

| | |
|-------------------|--------------|
| Bauform | B34 |
| Baugröße | 56-132 |
| Ausführung | Al-Druckguss |



Wellenende d: Toleranz **k6** bis $\varnothing 50\text{mm}$
Standardmässig Stiringwinde bei Ex-Motoren

Zentrierung b: Toleranz **j6** bis $\varnothing 130\text{mm}$ (Flansch $\varnothing 200\text{mm}$)

Achshöhe h: Toleranz $\overset{0}{-0.5}$ bis Achshöhe 315mm

Schutzart: Motor IP54, -55, -65
Klemmkasten siehe Klemmkasten-Anbaumasse

Bildliche Darstellung unverbindlich
Änderungen vorbehalten

| h Bau- größe | Flansch- Ausführung | a ₁ | a ₂ | b ₁ | b ₂ | w | e ₁ | e ₂ | s ₁ | s ₂ | s ₃ | 4X | | | | 2X | | | | | | | | | | | | |
|--------------------|------------------------|----------------|----------------|----------------|----------------|----|----------------|----------------|----------------|----------------|----------------|------|----------------|----------------|----------------|----------------|----------------|----|------|-------|-------|-------|------|----|------|------|-------|---------|
| | | c ₁ | c ₂ | f ₁ | f ₂ | d | L | u | t | m | k | r | v ₁ | v ₂ | g ₁ | g ₂ | g ₃ | O | | | | | | | | | | |
| 56 | Klein | 80 | 71 | 50 | 90 | 36 | 65 | 90 | M5 | 11 | M5 | 8 | 9 | 2.5 | 112 | 9 | 20 | 3 | 10.2 | 111.3 | 187 | 71.5 | 25 | 28 | 2.5 | 9.75 | 115 | M16X1.5 |
| 63 | Klein | 90 | 80 | 60 | 100 | 40 | 75 | 105 | M6 | 12 | M5 | 8 | 10 | 2.5 | 125 | 11 | 23 | 4 | 12.5 | 124.5 | 210.5 | 80 | 27.5 | 30 | 5 | 15 | 120.5 | M16X1.5 |
| 71 | Klein | 105 | 90 | 70 | 112 | 45 | 85 | 108 | M6 | 12 | M6 | 12 | 11 | 2.5 | 140 | 14 | 30 | 5 | 16 | 140 | 242 | 90 | 26.5 | 34 | 7.5 | 9 | 129.5 | M16X1.5 |
| | Gross | 140 | 90 | 95 | 112 | 45 | 115 | 108 | M6 | 12 | M8 | 18 | 11 | 3 | 140 | 14 | 30 | 5 | 16 | 140 | 242 | 90 | 26.5 | 34 | 7.5 | 9 | 129.5 | M16X1.5 |
| 80 | Klein | 120 | 100 | 80 | 125 | 50 | 100 | 125 | M8 | 17.5 | M6 | 12 | 11 | 3 | 160 | 19 | 40 | 6 | 21.5 | 158 | 274 | 100 | 32.5 | 37 | 21.5 | - | 143.5 | M25X1.5 |
| | Gross | 160 | 100 | 110 | 125 | 50 | 130 | 125 | M8 | 17.5 | M8 | 18 | 11 | 3.5 | 160 | 19 | 40 | 6 | 21.5 | 158 | 274 | 100 | 32.5 | 37 | 21.5 | - | 143.5 | M25X1.5 |
| 90S | Klein | 140 | 100 | 95 | 140 | 56 | 115 | 130 | M8 | 17.5 | M8 | 15.5 | 13 | 3 | 182 | 24 | 50 | 8 | 27 | 178 | 301 | 106 | 35 | 40 | 24.3 | 6 | 153.5 | M25X1.5 |
| | Gross | 160 | 100 | 110 | 140 | 56 | 130 | 130 | M8 | 17.5 | M8 | 15.5 | 13 | 3.5 | 182 | 24 | 50 | 8 | 27 | 178 | 301 | 106 | 35 | 40 | 24.3 | 6 | 153.5 | M25X1.5 |
| 90L | Klein | 140 | 125 | 95 | 140 | 56 | 115 | 155 | M8 | 17.5 | M8 | 15.5 | 13 | 3 | 182 | 24 | 50 | 8 | 27 | 178 | 326 | 118.5 | 35 | 40 | 38 | 6 | 153.5 | M25X1.5 |
| | Gross | 160 | 125 | 110 | 140 | 56 | 130 | 155 | M8 | 17.5 | M8 | 15.5 | 13 | 3.5 | 182 | 24 | 50 | 8 | 27 | 178 | 326 | 118.5 | 35 | 40 | 38 | 6 | 153.5 | M25X1.5 |
| 100L | Klein | 160 | 140 | 110 | 160 | 63 | 130 | 175 | M8 | 21.2 | M10 | 17 | 14 | 3.5 | 200 | 28 | 60 | 8 | 31 | 197 | 366 | 133 | 37.5 | 47 | 44.5 | 12 | 162.5 | M25X1.5 |
| | Gross | 200 | 140 | 130 | 160 | 63 | 165 | 175 | M10 | 21.2 | M10 | 20 | 14 | 3.5 | 200 | 28 | 60 | 8 | 31 | 197 | 366 | 133 | 37.5 | 47 | 44.5 | 12 | 162.5 | M25X1.5 |
| 112M | Klein | 160 | 140 | 110 | 190 | 70 | 130 | 175 | M8 | 21.2 | M10 | 16.5 | 14 | 3.5 | 235 | 28 | 60 | 8 | 31 | 221 | 384 | 140 | 37.5 | 55 | 48 | 15 | 174.5 | M25X1.5 |
| | Gross | 200 | 140 | 130 | 190 | 70 | 165 | 175 | M10 | 21.2 | M10 | 20 | 14 | 3.5 | 235 | 28 | 60 | 8 | 31 | 221 | 384 | 140 | 37.5 | 55 | 48 | 15 | 174.5 | M25X1.5 |
| 132S | Gross | 200 | 140 | 130 | 216 | 89 | 165 | 180 | M10 | 21.2 | M10 | 23 | 16 | 4 | 260 | 38 | 80 | 10 | 41 | 261 | 447 | 159 | 40 | 56 | 52.5 | 7 | 196.5 | M32X1.5 |
| 132M | Gross | 200 | 178 | 130 | 216 | 89 | 165 | 218 | M10 | 21.2 | M10 | 23 | 16 | 4 | 260 | 38 | 80 | 10 | 41 | 261 | 485 | 178 | 40 | 56 | 71.5 | 7 | 196.5 | M32X1.5 |

Leumann & Uhlmann AG

Tel. 061 467 98 98 Fax 061 467 98 99 CH-4132 Muttenz Hofackerstr.10 Internet www.leumann.ch

